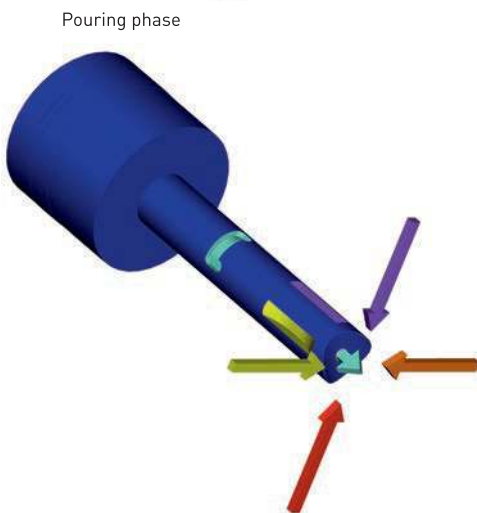
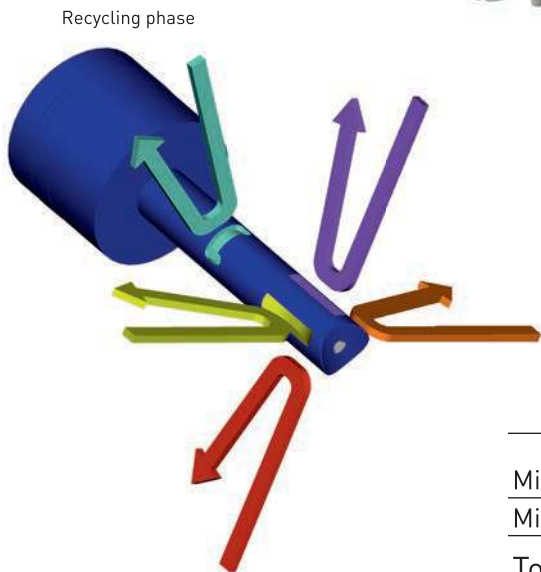




AX Head

Multi-components high pressure mixinghead designed to handle up to 5 streams simultaneously and in different combinations. Four stream are radial and one stream is axial. AX mixhead is patented.



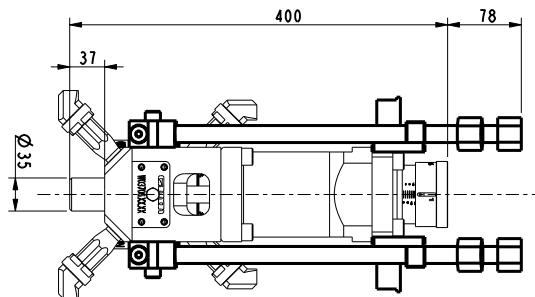
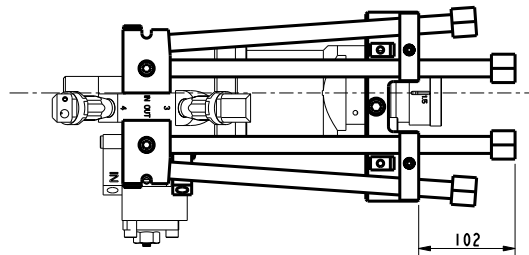
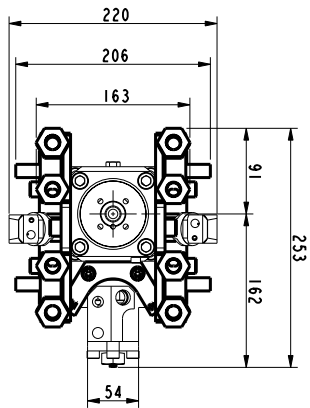
	AX 18	AX 24
Min output of single radial stream (cc/sec)	15	15
Min output of axial stream (cc/sec)	6	6
Total min output	180	180
Max output of single radial stream (cc/sec) ●	380	450
Max output of single radial stream (cc/sec) ●●	300	350
Max output of single radial stream (cc/sec) ●●●	200	230
Max output of axial stream (cc/sec)	130	200
Total max output	1100	1300
Total max laminar flow (cc/sec)	400	700
Weight (Kg)	22.1	42.1

● values calculated at <1000 cps | ●● values calculated at <2000 cps | ●●● values calculated at <3000 cps

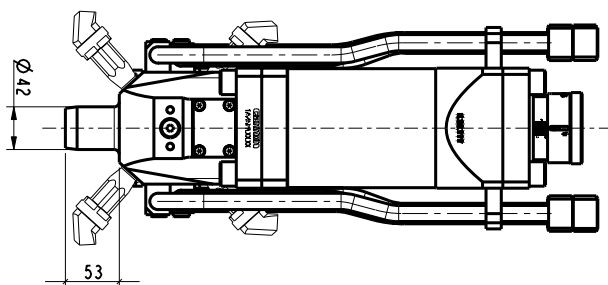
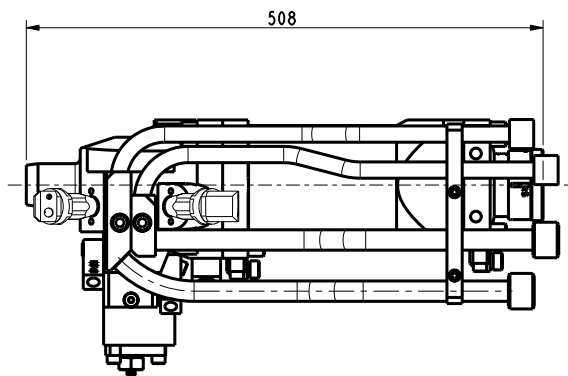
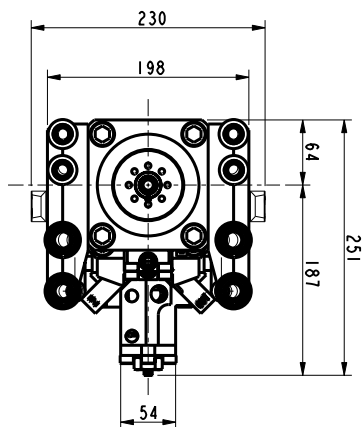
All other values are calculated in cc/sec considering component viscosity < 1000 cps, without filler and 150 bar pressure.



AX 18



AX 24



All data are subject to variation without notification due to continuous technical/technological developments