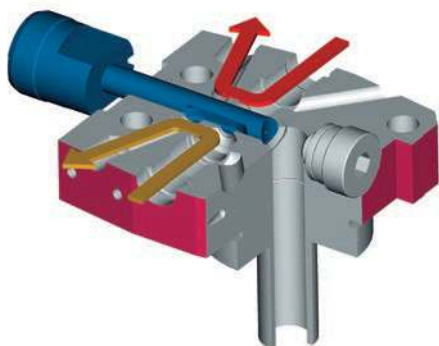




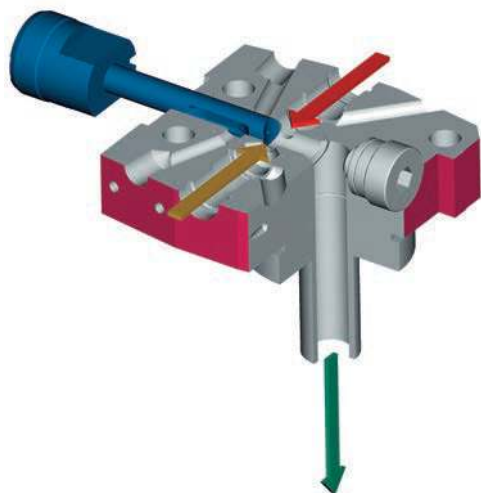
# FPL AD [Armored] Head

Two components, L-shaped high pressure mixing head designed for the use of abrasive fillers pre-blended in the chemical components.

Recycling phase



Pouring phase



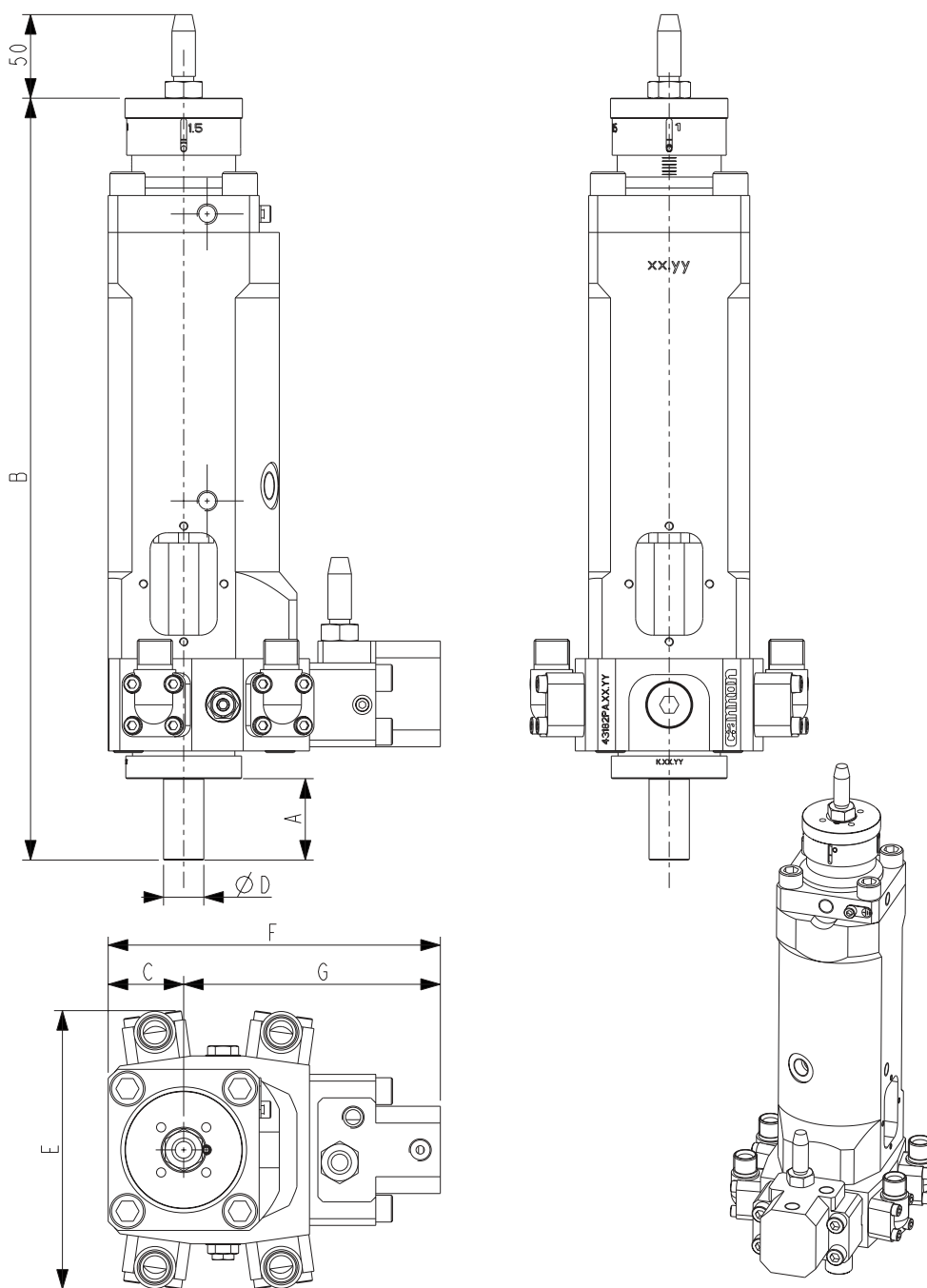
Examples of fillers:  
Aluminum hydroxide, Barium Sulfate,  
Glass fiber, Wollastonite

	FPL AD 18	FPL AD 24
Min. output of each stream ( cc/sec )	90	150
Max. output of each stream ( cc/sec )	550	1000
Total min output ( cc/sec )	180	300
Total max output ( cc/sec )	1100	2000

All values are calculated in cc/sec considering component viscosity <1000 cps. without filler and 150 bar pressure. In case of filler the values have to be considered as indicative.



	A	B	C	D	E	F	G	WEIGHT
<b>FPL18HP AD</b>	48.5 mm	454 mm	45 mm	24 mm	166 mm	198 mm	153 mm	24 Kg
<b>FPL24HP AD</b>	57 mm	492 mm	55 mm	32 mm	202 mm	216.5 mm	161.5 mm	33 Kg



All data are subject to variation without notification due to continuous technical/technological developments