

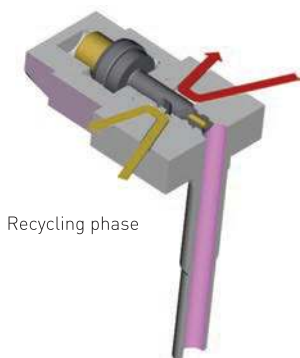


JL Head

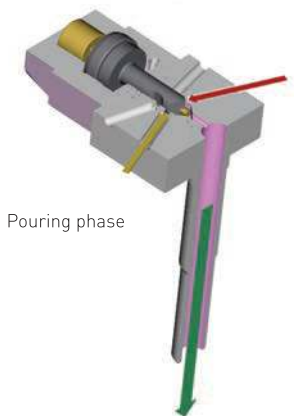
The JL head is a family of heads based on a new concept for the mixing of the components: the turbulence necessary to mix the chemicals is created by speed. The JL mixhead is patented.

MAIN FEATURES / ADVANTAGES

- High mixing efficiency at lower pressures
- Jet Less – no injectors.
- Long nose – laminar flow at exit.
- Enhanced self cleaning features



Recycling phase

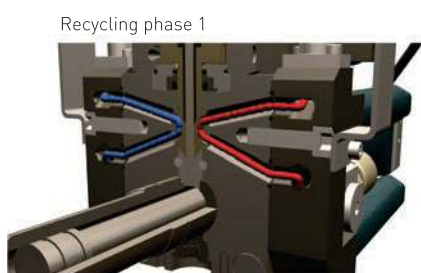


Pouring phase

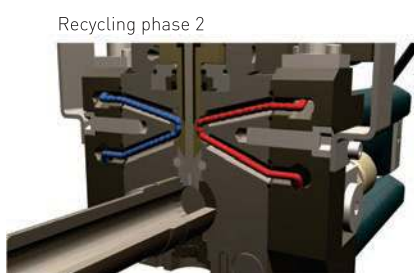


	JL 18	JL 24	JL 32
Min output of poly stream (cc/sec)	100	120	320
Min output of iso stream (cc/sec)	100	120	320
Total min output	250	300	800
Max output of poly stream (cc/sec)	1300	1750	3900
Max output of iso stream (cc/sec)	1300	1750	3900
Total max output	2000	2800	6000
Total max laminar flow (cc/sec)	1300	2100	3300

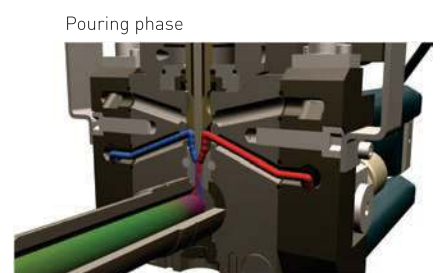
All values are calculated in cc/sec considering component viscosity <1000 cps without filler and 150 bar pressure.



Recycling phase 1



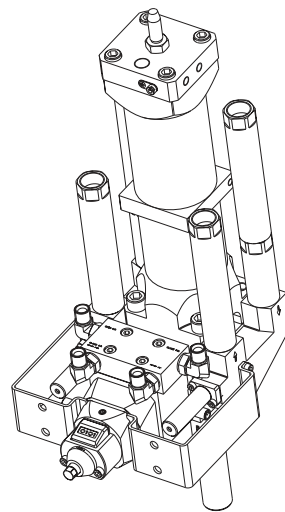
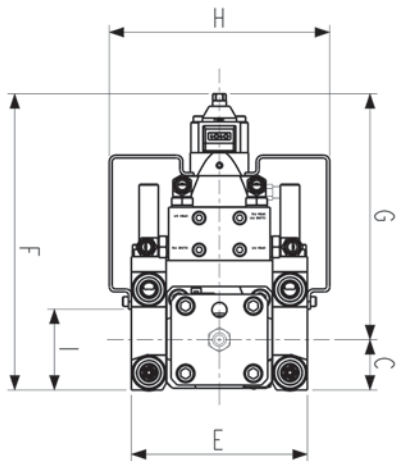
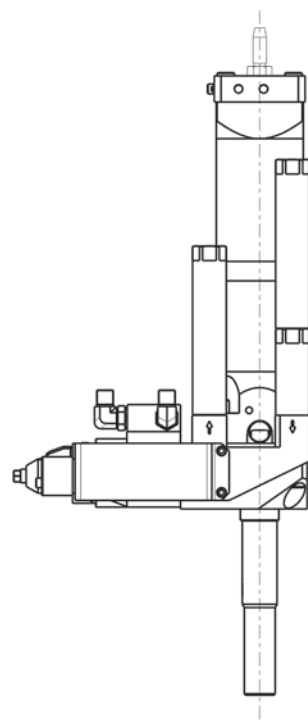
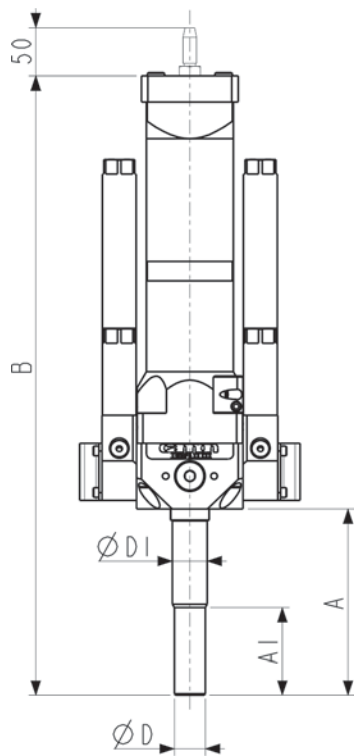
Recycling phase 2



Pouring phase



	A	A1	B	C	D	D1	E	F	G	H	I	WEIGHT
JL18	149 mm	55 mm	569 mm	52 mm	24 mm	36 mm	182 mm	309 mm	257 mm	182 mm	-	35,5 Kg
JL24	192 mm	90 mm	640 mm	50 mm	32 mm	36 mm	182 mm	306.5 mm	254.5 mm	228 mm	83.5 mm	43 Kg
JL32	254 mm	110 mm	801 mm	52 mm	40 mm	48 mm	188 mm	382.6 mm	330.6 mm	188 mm	-	46 Kg



All data are subject to variation without notification due to continuous technical/technological developments