



L Head

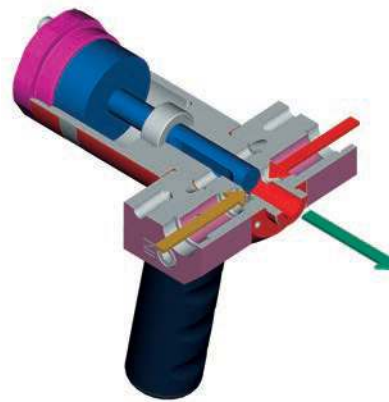
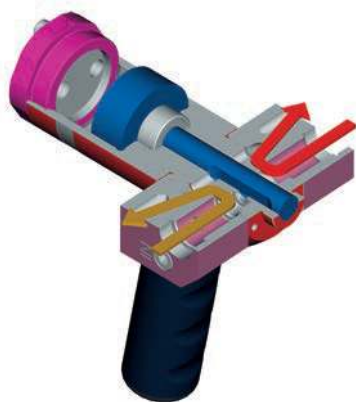
Two components straight-through mixing head suitable for the most common applications of the PU chemistry (mainly for rigid foam systems).

A plastic pipe extension can be easily assembled and removed for hardly-accessible pouring holes.



Recycling phase

Pouring phase

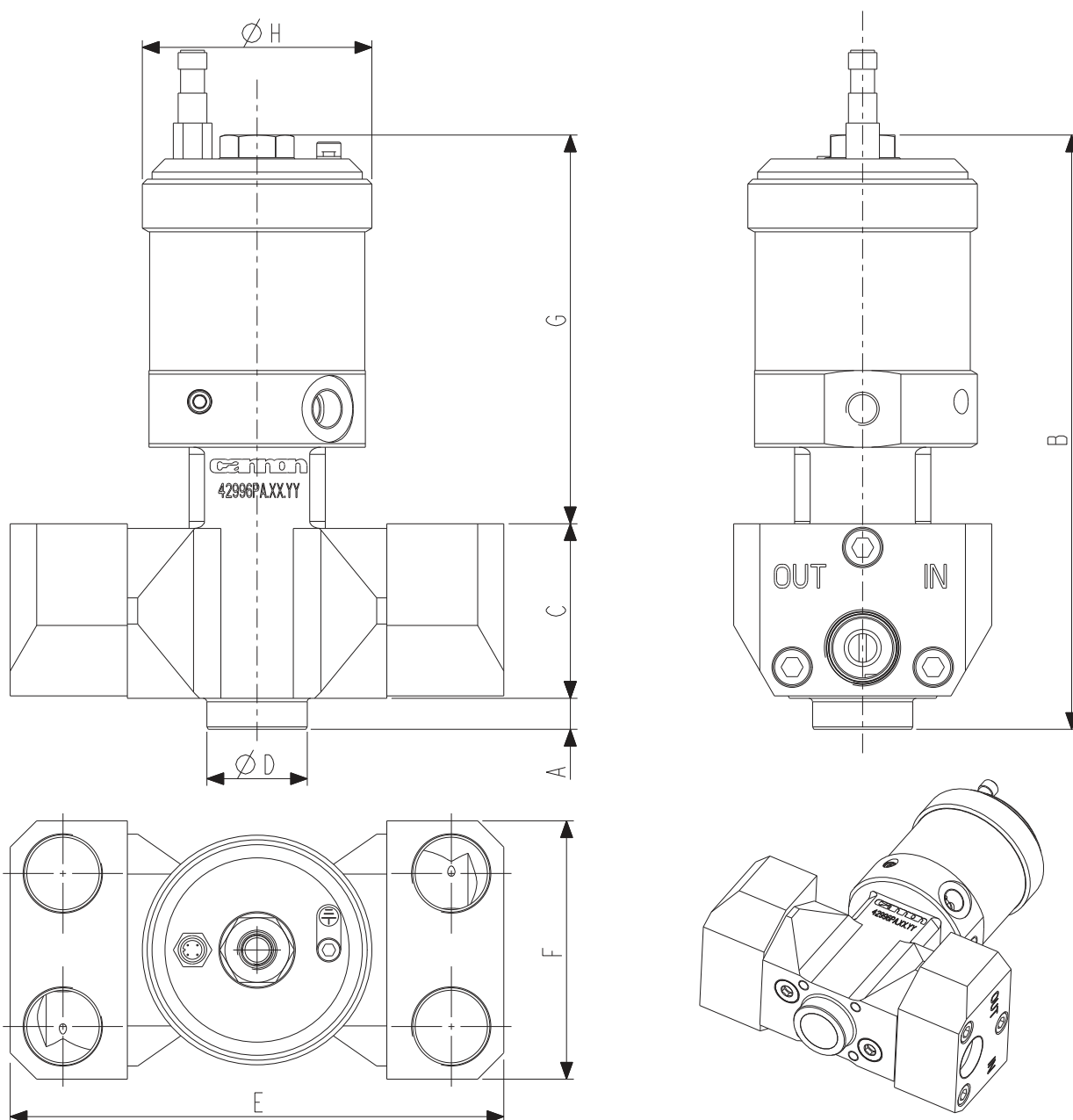


	L 14	L 30
Min. output of poly stream (cc/sec)	125	320
Min. output of iso stream (cc/sec)	125	320
Total min output (cc/sec)	310	800
Max. output of poly stream (cc/sec)	1100	5000
Max. output of iso stream (cc/sec)	1100	5000
Total max output (cc/sec)	1700	8000

All values are calculated in cc/sec considering poly viscosity < 1000.
All components are considered without filler and 150 bar pressure.



	A	B	C	D	E	F	G	WEIGHT
L 14	9 mm	167.5 mm	54.5 mm	24 mm	115 mm	60 mm	104 mm	3.7 Kg
L 30	13 mm	248.5 mm	73 mm	42 mm	206.5 mm	108 mm	162.5 mm	12.3 Kg



All data are subject to variation without notification due to continuous technical/technological developments